

48 1G/2.5G/10G SFP/SFP+, 4 40G QSFP+

1G/2.5G/10G SFP/SFP+ and 40 QSFP+ Ports With DAC Support

1.28Tbps Throughput, Low Latency

Powerful Flow Management

Supports Dynamic Virtual Wire; Inline Traffic Split and Merge; Traffic Replication; Traffic Aggregation; Fan out; Load Balancing and Switching all at line rate.

Green and Cost Effective

1U Rack Mount

400W of Power Consumption

Easy to use Web GUI, CLI and Automation APIs

FlowDirector - 640

48 SFP/SFP+ 1G/2.5G/10 G and 4 QSFP+ 40G Ports Network Flow Director

Applications

- Network Monitoring and Forensic Infrastructure ■
- Network Visibility and SPAN Port Expansion ■
- Advanced Inline High Speed Network Diagnosis ■
- Lab Test Equipment Sharing and Automation ■
- Lab Equipment Cable Management Optimization ■
- Network Element Quality Assurance ■



Next Generation Device Designed For Network Visibility and Forensic Infrastructure. Significantly Reduce SPAN Port Usage and Maintain Total Visibility for All Analytic Equipment. Improve Lab Tool Efficiency and Simplify Cable Management

FlowDirector-640

InfiniFlow Series



- Network Monitoring and Forensic Infrastructure
- Maintain total visibility for all network monitoring and forensic devices
- Flexible traffic management modes, reliable and lossless for both Gigabit, Ten Gigabit and Forty Gigabit
- Standard based Easy to Use InfiniOS
- Web Based UI and CLI Support
- Programmable API to automate operating tasks
- Comprehensive Status and Statistics Indication through User Interface
- Improves Sharing of Lab Equipment
- Improves Lab Cable Management and inline diagnosis capabilities
- Low TCO
- Green

Contact us

Infinicore Inc.
<http://www.infinicoreinc.com>

Sales:
sales@infinicoreinc.com
Support:
support@infinicoreinc.com

Next Generation Device For Total Network Visibility

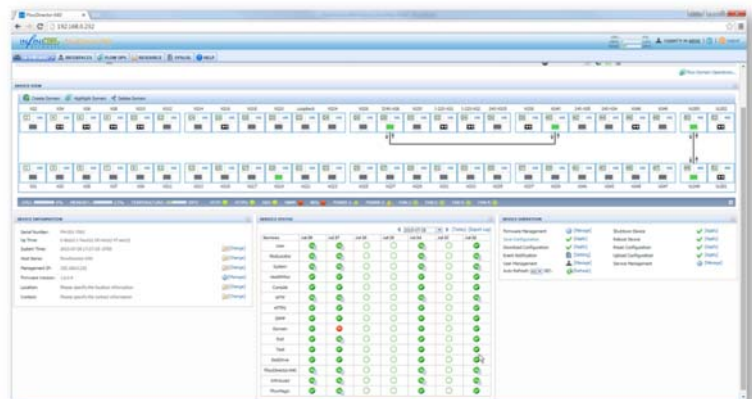
The Infinicore™ Network FlowDirector-640 helps network administrator to connect their high speed network to different monitoring and forensic devices without creating congestions. The FlowDirector-640 gives flexibilities to network administrators to deploy extra monitoring device on the fly without the needs for SPAN ports. Network administrators can chose many different traffic modes range from replication to load balancing to best suites their needs. For all functioning modes, the FlowDirector-640 provides up to 1.28 Tbps throughput at line rate even for the smallest frame size.

Streamlined, Outstanding Software Package

The Network FlowDirector is powered by InfiniOS with comprehensive remote management through Web Based GUI and Command Line Interface. Operator can access all the functionalities and monitor device status through Web based GUI.

Improve Lab Efficiency and Ease of Cable Management

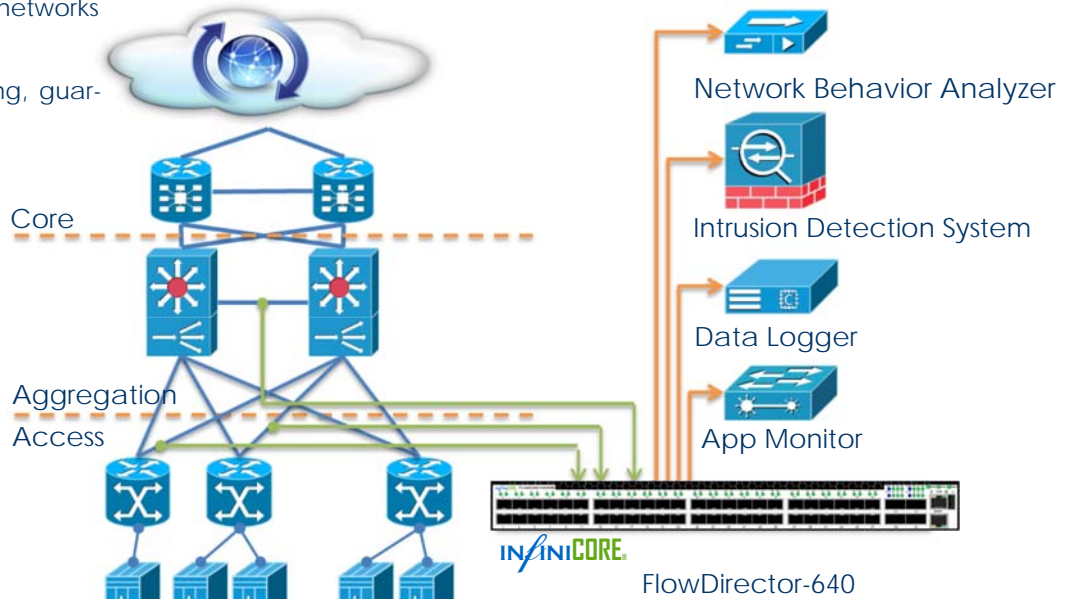
The Network FlowDirector-640 is a critical tool to help you to improve LAB efficiency and ease of cable management. You can share expensive, scarce load generation ports across different DUT models and teams without rewiring the cable. Using our innovative Virtual Wire technology, you can change the connectivity by simple mouse clicks. Additionally the FlowDirector provides detailed statistics and plot capability so that you have complete visibility into your lab setup.



Highlights of Product Use Cases

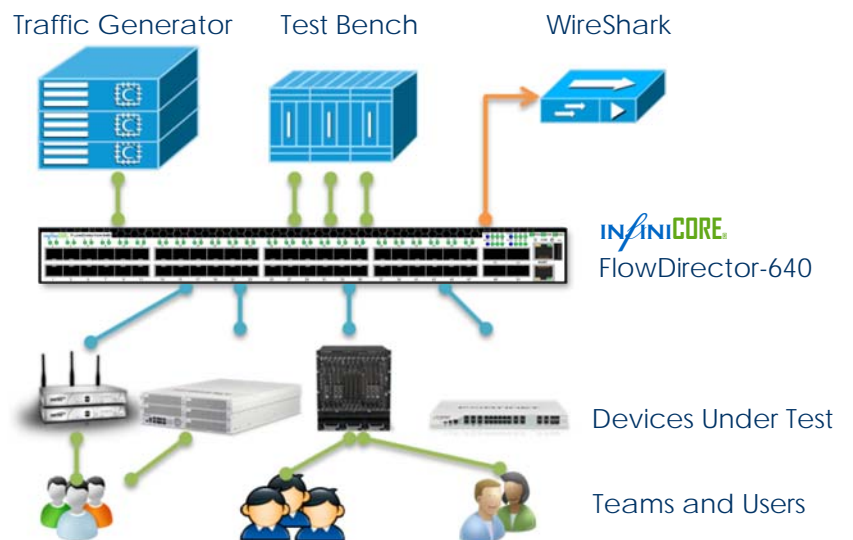
Next Generation Device for Network Monitoring and Forensic Infrastructure

- Single Or Multiple Points Deployment, minimum impact to networks
- Line rate packet forwarding, guaranteed performance
- Connect unlimited Monitoring devices on the fly without service interruption
- Advanced built-in traffic management modes to meet your needs
- Help network meet regulatory compliance such as SOX, PCI and HIPPA
- Wide range of media support, 10G, 10G-DAC, 2.5G, 1G-SERDES, 1G-SGMII



Improve Sharing of Scarce Lab Resource and Simplify Cable Management

- Sharing Expensive Tester Ports across multiple teams and DUTs
- Automatically switch connections between tester and DUTs
- Non-intrusive sniffer solution. Taps can be created in real time and on demand
- Run regression test across different DUTs without cable switching
- User management and port reservation
- Comprehensive Statistics and Counters, Total visibility to network state and traffic



- Efficiently Share Lab Equipment and DUTs
- No Cable Rewiring
- Non intrusive traffic monitoring

All specifications and figures are subject to change without prior notice.
Actual products may look different from the photos.

All trademarks and logos are the properties of Infinicore Inc. All rights reserved.

Innovation Towards Total Visibility Into Your Network

- **Data centers and enterprises** that deploy IDS, Probes, data logger devices
- **Governments and agencies** network monitoring, forensic collection
- **Service providers** delivering services and applications over IP networks
- **Operators** maintaining networks and standard compliance
- **Third parties and labs** performing devices validation and certification

40G QSFP+ Status Lights

40G Ethernet Port 49,50,51,51 Status as below:

- Blue: Normal 40G Network Link/Activity in this port
- Blue Blink: 40G Network Packets Activities in this port
- Off: No 40G Network Link

10G SFP+ Status Lights

10G Ethernet 1 to 48 Ports Status as below:

- Green: Normal Network Link/Activity
- Green Blink: Network Transmit or Receive Packets
- Off: No Network Link

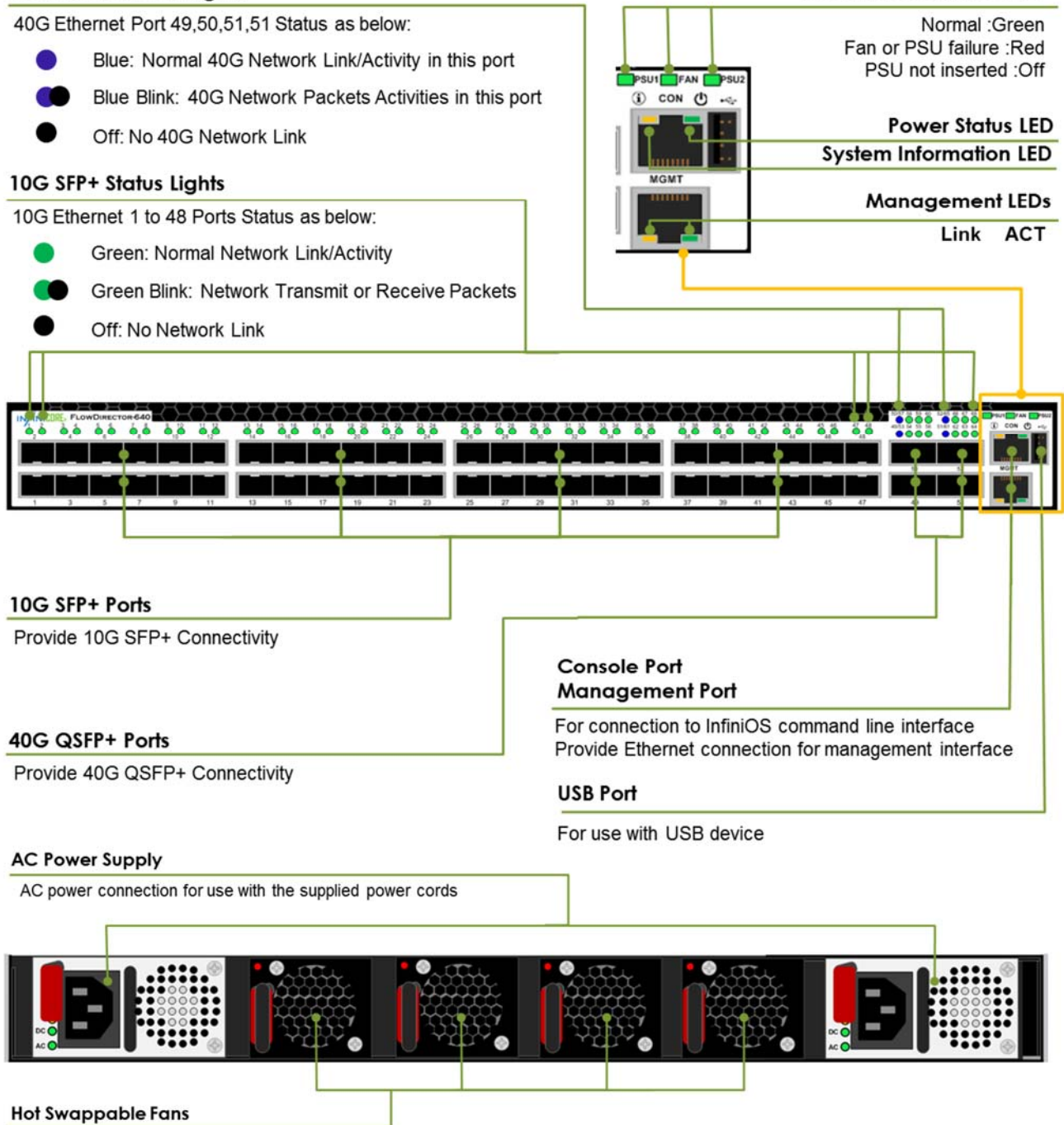
Fan and PSU Failure LEDs

Normal :Green
Fan or PSU failure :Red
PSU not inserted :Off

Power Status LED System Information LED

Management LEDs

Link ACT



Infinicore™ FlowDirector-640 Order Information

Part Number	Redundant Power Supply	Form Factor	Operating Temperature
FDS-640-R2	Dual Modules	1U Rack Mountable	0-40 C

Contact Infinicore Sales sales@infinicoreinc.com
For more information, visit <http://www.infinicoreinc.com>